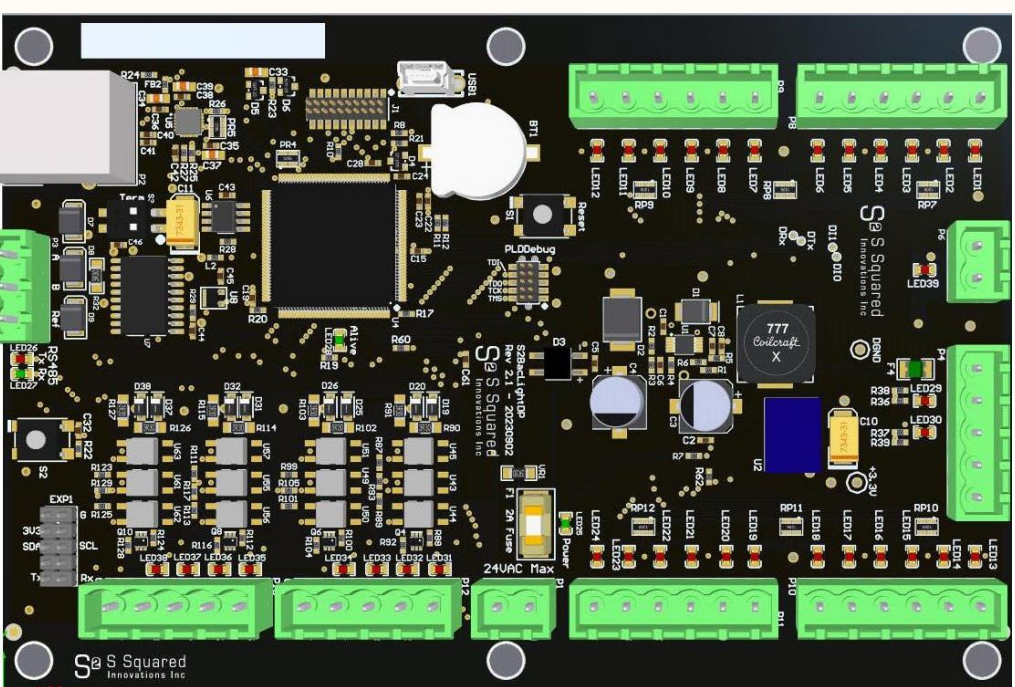
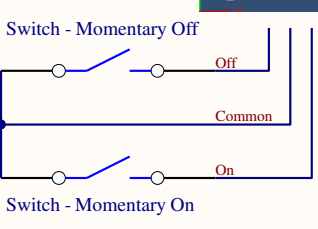
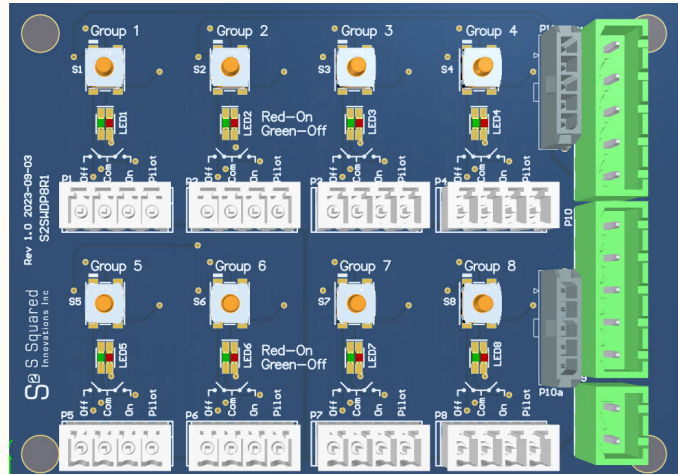
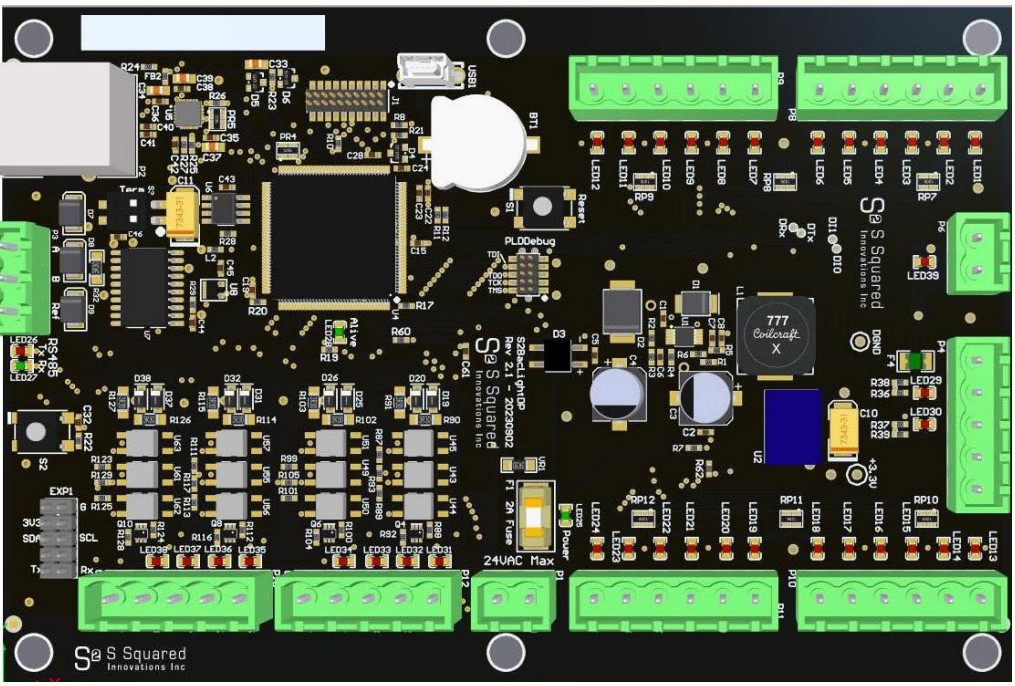


Line Voltage



White (24VAC)  
24VAC 40VA Secondary  
Blue (24VAC)



GroupX1  
GroupX2  
GroupX3  
GroupX4


To Group Inputs  
On S2BACLight Devices

GroupX5  
GroupX6  
GroupX7  
GroupX8

To Group Inputs  
On S2BACLight Devices

White  
Blue

RelayW.1  
RelayW.2  
RelayW.3  
RelayW.4  
RelayW.5  
RelayW.6  
RelayW.7  
RelayW.8

Title: S2BACLightDP x2 S2SWDP8 Supporting 32 Relays		
Rev: 1.0	Drawn by: SSS	
Sheet: 1 of 1	Date: 2024-03-20 3:48:04 PM	

E:\Projects\S2Light\Designs\S2Switches\S2SWDP8\Doc\S2SWDP8\_Connx2.SchDoc